

Your Worldwide ICT Support Network



**Ideal-ist**  
[www.ideal-ist.net](http://www.ideal-ist.net)

## Your Worldwide ICT Support Network

**25-26 June, 2009, Minsk**

**EU supported research in the Information and  
Communication Technologies field –  
emerging opportunities under FP7-ICT Call 5**

**Dr.Tatyana Lyadnova, Ideal-ist, Belarus**

# Ideal-ist: Short Description



- **NCP-Network:**
  - > **60 Consortium Members from EU and non-EU countries**
- **Co-ordinated by DLR (DE)**
- **Project duration:**  
**36 M, starting on Oct, 01<sup>st</sup> 2008**



# Idealist services in FP7



## Ideal-ist supports research organisations and companies in

- **interpreting the ICT work programme** of FP7
- **submitting project ideas** in line with the Challenges & Objectives of FP7 in ICT
- **finding the right Project Partners** (having specific skills & expertise)
- **joining as Project partners** to other proposals (especially newcomers)
- **joining on-going projects** via competitive calls launched by project coordinators



# Why use Ideal-ist for partner search?



## Ideal-ist offers

- **high expertise** in proposal writing and project management  
A worldwide network of **National Contact Points (NCPs)** in the ICT theme and organisations appointed by them.
- **long-standing 13 years experience** in EU Framework Programmes
- A **unique partner search tool** to connect newcomers and experienced researchers



# Why use Ideal-ist for partner search?



## Ideal-ist provides furthermore

- **Services:** Ideal-ist **Newsletter** (calls, challenges and objectives as well as specific partner searches), Ideal-ist **Web Portal**, Ideal-ist **Events** – Workshops, Conferences, Info Days and Brokerage Events organised or supported by Ideal-ist partners around the world.
- **A network** with more than **60.000 contacts**. Ideal-ist **Consortium members:** 63 ICT national partners from EU and Non-EU Countries, such as Associated States, Eastern European Partner Countries (EEPC) and Mediterranean Partner Countries (MPC) and emerging countries like China, Brazil, India, and South Africa in line with the international cooperation strategy of the European Commission.



# How to get started



## **If you would like to submit a Partner Search**

Register as a Proposer

<http://www.ideal-ist.net/createMember>

Log in, create and submit a Partner Search

## **If you would like to submit an Expression of Interest**

Reply to open Partner Searches if you match the profile sought and have the expertise to carry out the activities foreseen

<http://www.ideal-ist.net/partner-search>

## **Register to your National Newsletter (mailing list)**

You will receive regular communications on open Partner Searches

[http://www.ideal-ist.net/partner-search/newsletter\\_subscribe](http://www.ideal-ist.net/partner-search/newsletter_subscribe)



# How Ideal-ist finds partners for you



## Step 1

Proposer inserts a new **Partner Search (PS)** online

## Step 2

The PS is checked by a **local representative** & then by a **quality team**



## Step 3

The PS is **published & distributed** to subscribers of the **national Ideal-ist mailing list**

## Step 5

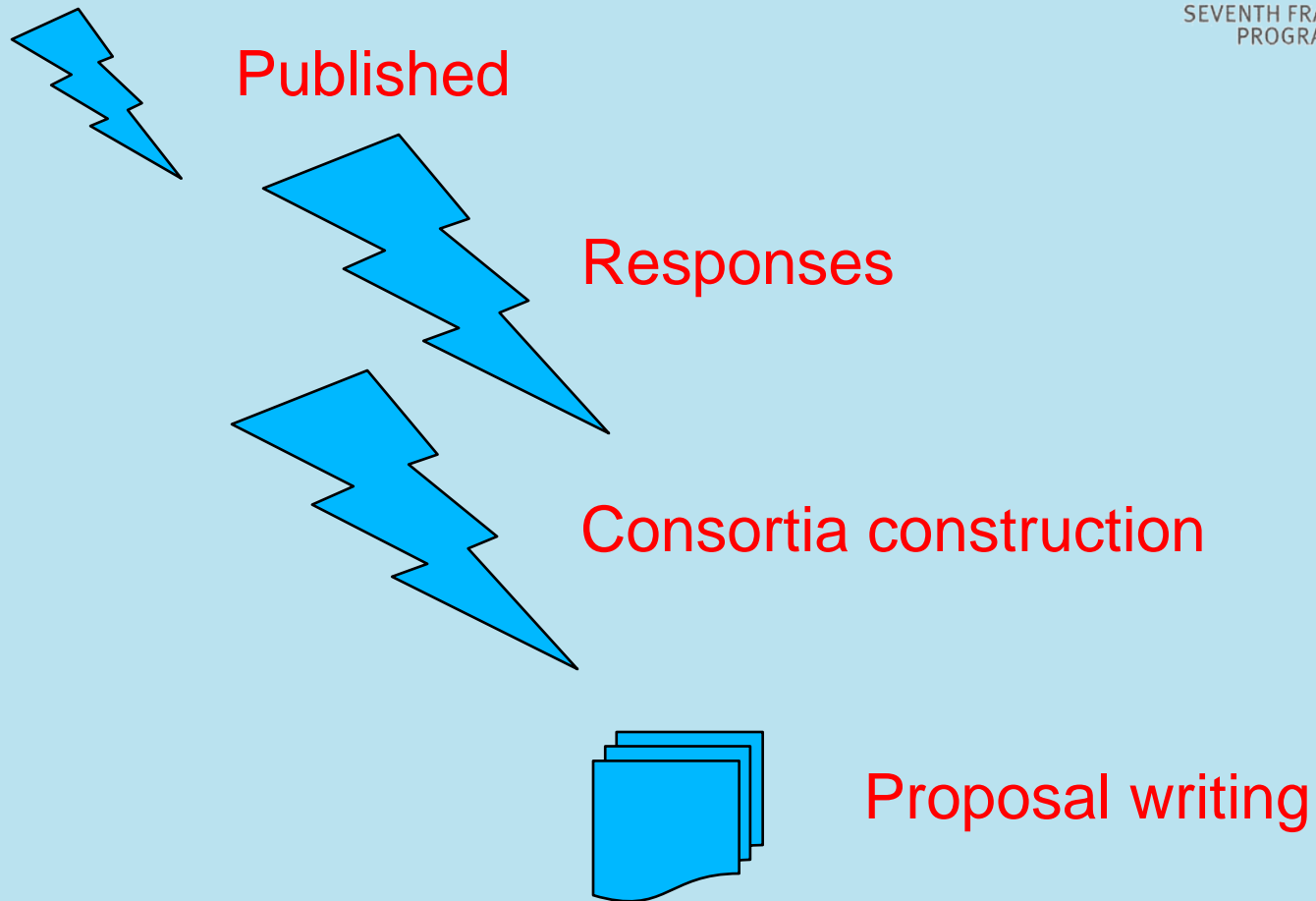
The proposer replies to Eols & **chooses partner(s) and build consortium**

## Step 4

Potential partners send **Eols (Expressions of Interest)** to the proposers



# What will happen?





# Ideal-ist Success Story



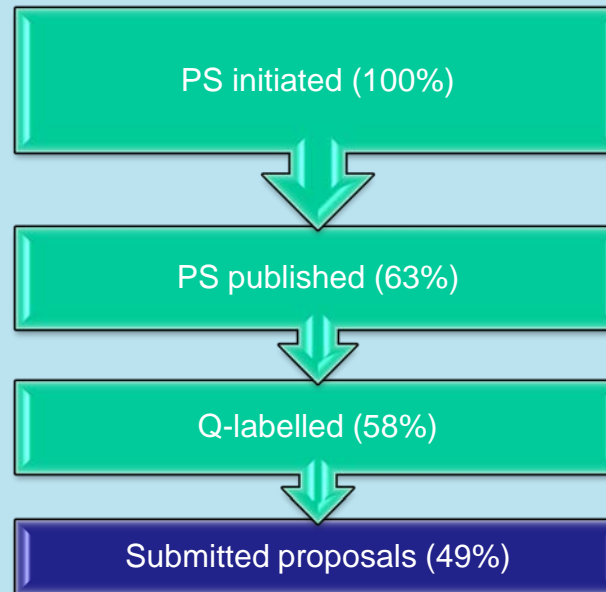
## So far in FP7



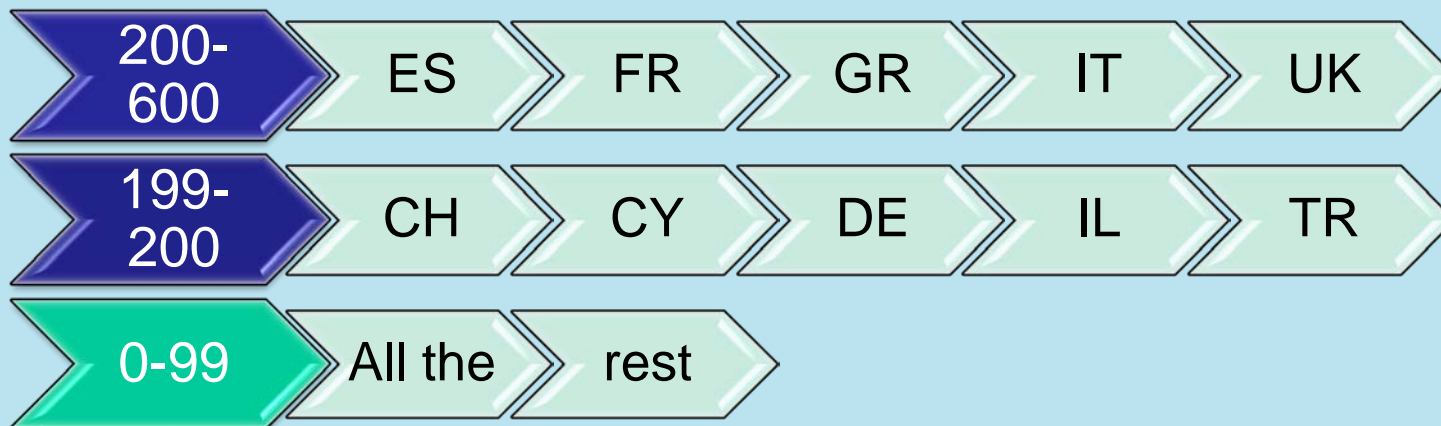
- **about 400 partner searches** published with a **Quality Label**
- these represent **8,4% of the total proposals** submitted in ICT calls
- More than **18.000 responses (EoI)** generated
- **> 90%** of the cases find **suitable partners**
- **~ 80%** of the cases finally **submit a proposal**
- **between 22% and 42%** of these are evaluated **over thresholds**  
(depending on the call), with an average before always over 11/15



# Ideal-ist track record



# Who was responding in Call 3



# Ideal-ist Service Map



## Implementation of Ideal-ist Service Map

- Single-point-of-entry solution to help ICT clients (especially newcomers) finding **free support services** for FP7 ICT programme

- Search for **5 different kinds of services:**

- Information
- Coaching/Mentoring
- Face2Face=Brokeradge
- Training
- R&D partner search
- Innovation partner search

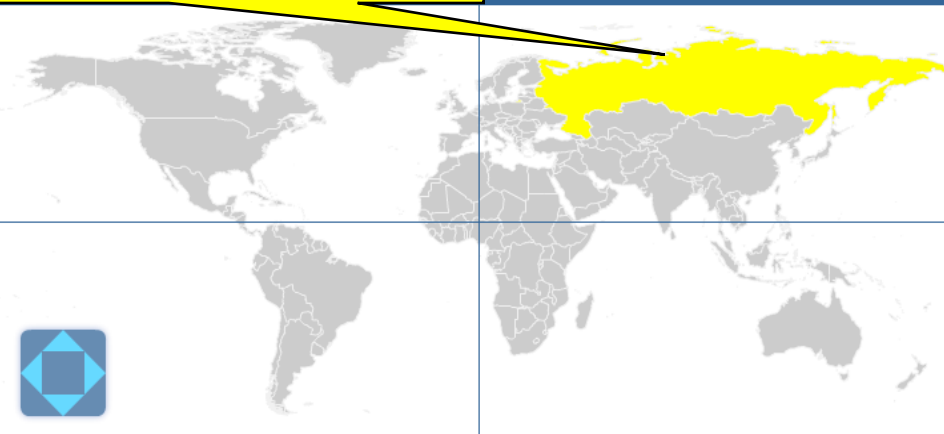
- **Data from 32 ICT related SSAs & 63 organisations**

<http://www.ideal-ist.net/ServiceMap>



# Ideal-ist Service Map

Searching by clicking on a country on the map



Dynamic and Interrelated Search

Free Search:

Service Provider	Service Provider Type	Country	
Rusmeco	Project	Russian Feder	
Rusmeco	Project	Russian Feder	
Rusmeco	Project	Russian Feder	
Rusmeco	Project	Russian Federation	R&D Partner Search
IST4Balt	Project	Russian Federation	Training

Free Search: service provider, service provider type, service

Log in  
Login Nam  
  
Password  
  
Log in  
Forgot y  
New Pro  
Mailing-I  
  
Subscri



# Ideal-ist and ICT PSP



**The Ideal-ist partner search tool is also open for ICT PSP, ARTEMIS and ENIAC!**

It works for SMEs as well.



# Thank you for your attention!

[www.ideal-ist.net](http://www.ideal-ist.net)

## YOUR worldwide ICT support network

Dr. Tatyana Lyadnova, Ideal-ist Belarus

ICT NCP

Tel. +375 17 2867871

Mob. +375 29 335 9868

Email: [tlyadnova@fp7-nip.org.by](mailto:tlyadnova@fp7-nip.org.by)

